

THIS DRAWING IS UNPUBLISHED.

RELEASED FOR PUBLICATION

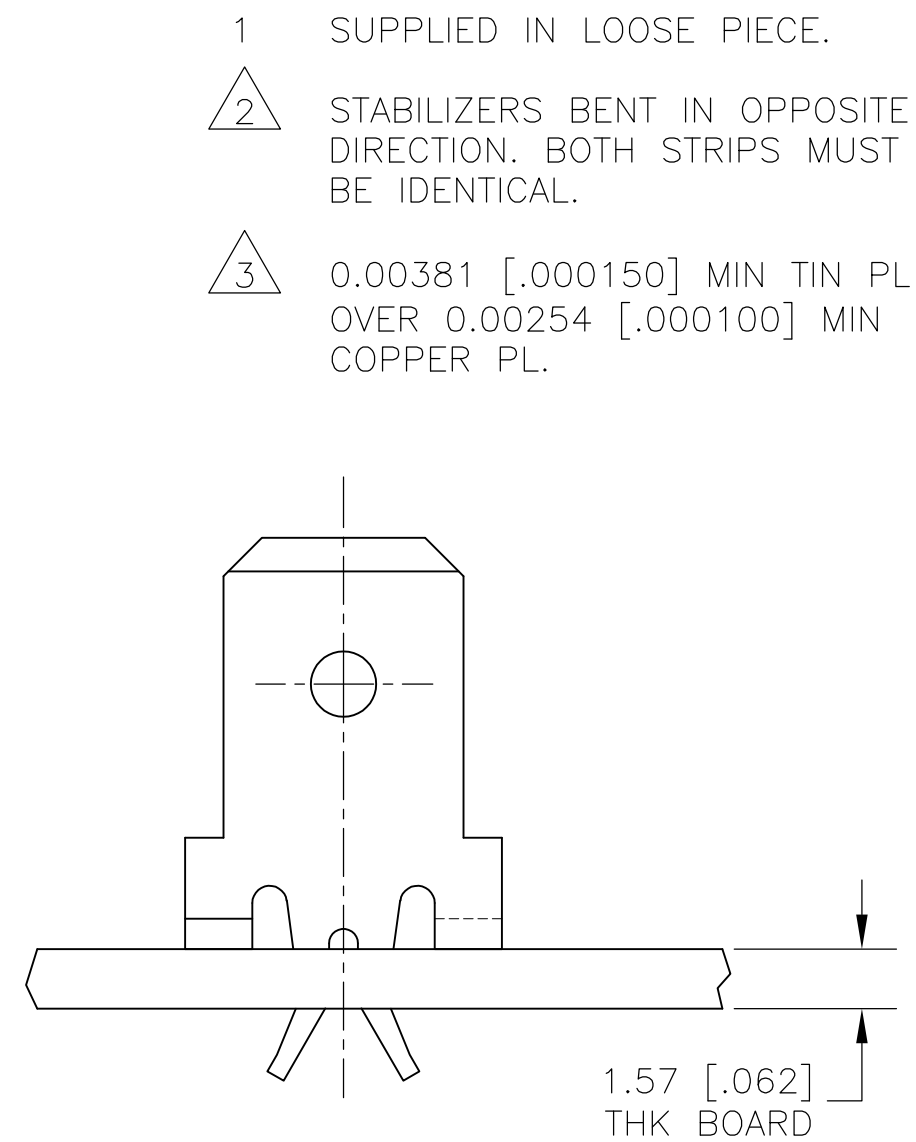
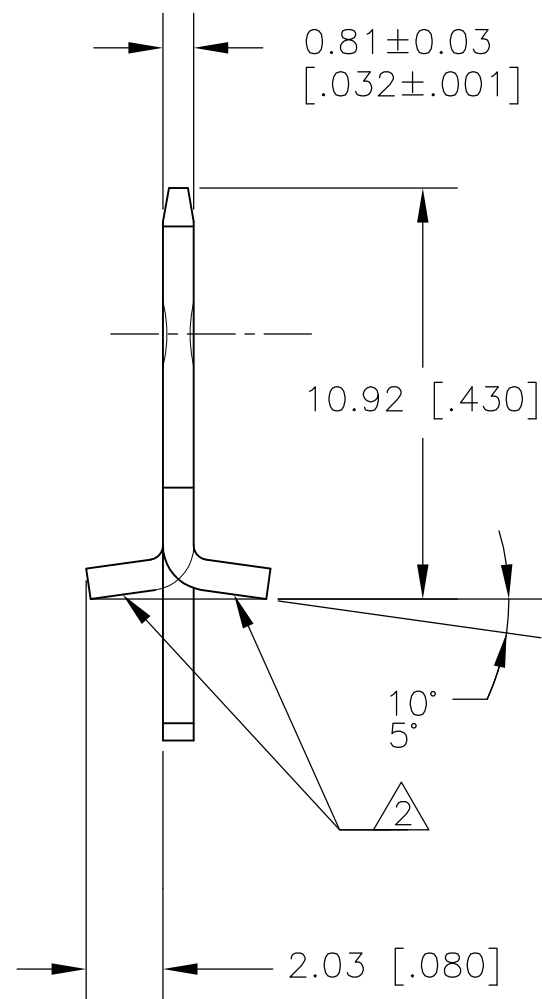
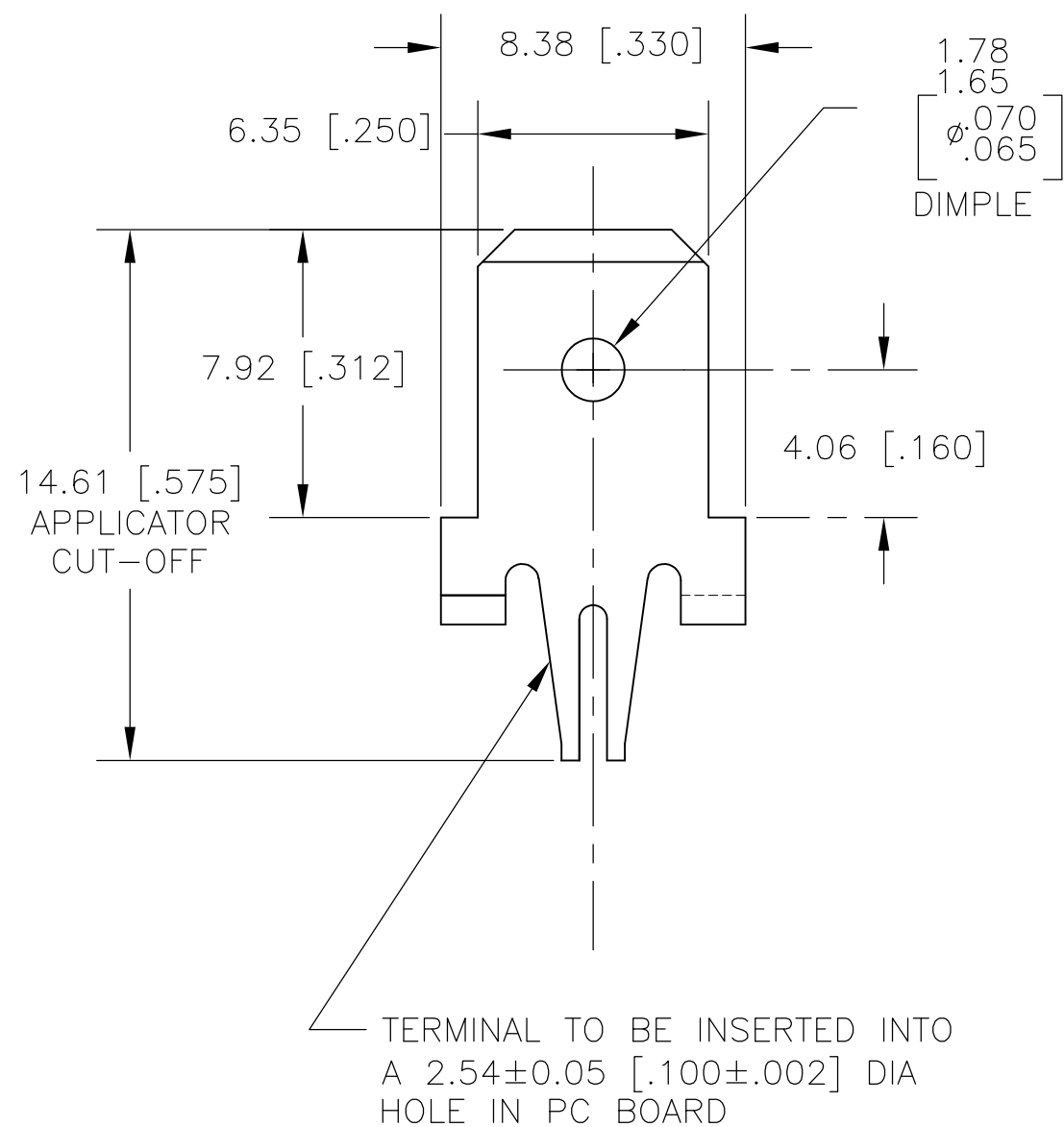
© COPYRIGHT - By -

ALL RIGHTS RESERVED.

LOC AF DIST 50

REVISIONS

P	LTR	DESCRIPTION	DATE	DWN	APVD
B		REVISED PER ECR-13-001204	20JUN13	KH	PD



TERMINAL INSERTED AND CLINCHED IN PC BOARD

63066-1	63067-1
STRIP P/N	PART NO.

THIS DRAWING IS A CONTROLLED DOCUMENT.		DWN JR RUTH 20FEB01	TE Connectivity NAME TAB, FASTON, PC BOARD 6.35 [.250] SERIES				
DIMENSIONS: MM [ INCHES ]		CHK MS FEHER 20FEB01					
TOLERANCES UNLESS OTHERWISE SPECIFIED:		APVD N DEIBERT 20FEB01					
0 PLC ± - 1 PLC ± - 2 PLC ± 0.38 [.015] 3 PLC ± - 4 PLC ± - ANGLES ± -		PRODUCT SPEC -					
MATERIAL BRASS		FINISH 3	APPLICATION SPEC -	SIZE A3	CAGE CODE 00779	DRAWING NO C-63067	RESTRICTED TO -
CUSTOMER DRAWING			WEIGHT -	SCALE 5:1	SHEET 1 OF 1	REV B	